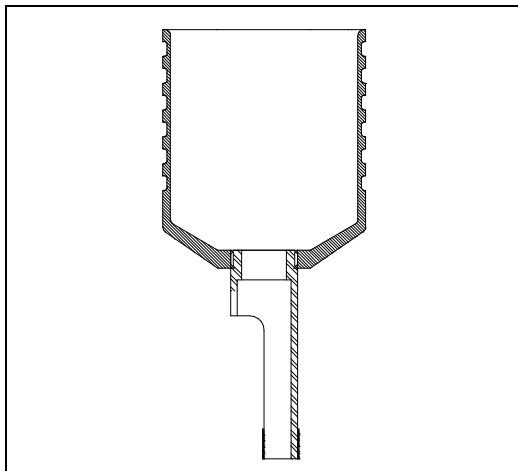


MODEL No.	DESCRIPTION:
LC9	9 Series (Jet Lite & Sting - Ball) Launching Cup
	Revision A 01/14



NOT TO SCALE

PHYSICAL & OPERATIONAL	
Type	Launching Cup
Caliber	12 GA
Weapon Compatibility	Shotgun w/ Low Profile Sight
Grenade Compatibility	All CTS 9 Series Grenades
Overall Length	7.15" (181.6 mm)
Inside Cup Diameter	3.14" (79.7 mm)
Overall Weight	275 gm
Material	Aluminum Alloy
Warranty	5 Years from Shipment Date
<p>All specifications are average and are subject to change without notice. All performance specifications are based on testing conducted in Jamestown, PA USA, At an elevation of 1,058 feet above sea level at ambient temperature conditions.</p>	

WARNING: CSI manufactures a variety of CTS less lethal products which are under pressure, pyrotechnic, incendiary, emit projectiles, generate smoke, or are explosive in nature. When used in accordance with CTS training guidelines and the individual agency's policy, they are intended to cause varying degrees of pain and injury, which are temporary. These products are restricted to law enforcement, corrections, and military personnel and are used to gain compliance, disperse crowds, restore order, or temporarily incapacitate dangerous persons. In rare circumstances, CTS less-lethal products may cause damage to property, serious bodily injury or death. Therefore, any person using the force option depicted on this page should receive proper training to ensure the safest and most effective use.

SHIPPING INFORMATION	
Proper Shipping Name	Metal Parts
UN Number	N/A
Hazard Class	N/A
Labels Required	N/A
Quantity Per Package	1 Piece
Total Package Weight	2lbs.
Package Type	Fiberboard Box
Package Dimensions	12" x 9" x 7"
Net Explosive Weight	Non - Hazardous

*For compatibility, the length of the barrel beyond the tube nut of the magazine should be at least 3.25" (8.25 cm) and the front must be of sufficient low profile to allow the adapter with barrel clamp to fit over the top. Bead sights are the most compatible.

For effective range information refer to the information published on launching cartridges.