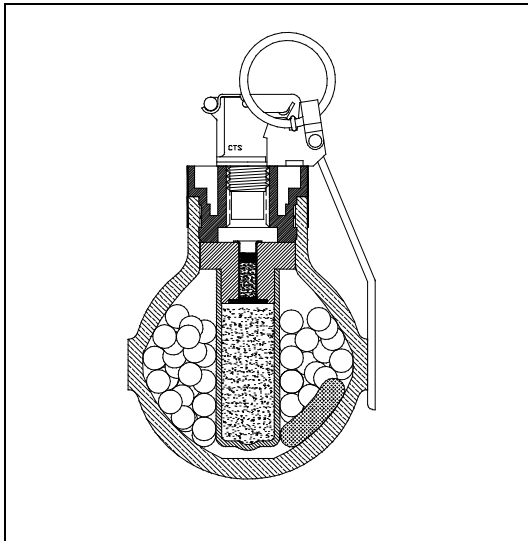


MODEL No.	DESCRIPTION:
9592	Irritant Sting-Ball Grenade w/ CN
9593	Irritant Sting-Ball Grenade w/ CS
9594	Irritant Sting-Ball Grenade w/ OC
Revision B 5/17	



NOT TO SCALE

WARNING: CSI manufactures a variety of CTS less lethal products which are under pressure, pyrotechnic, incendiary, emit projectiles, generate smoke, or are explosive in nature. When used in accordance with CTS training guidelines and the individual agency's policy, they are intended to cause varying degrees of pain and injury, which are temporary. These products are restricted to law enforcement, corrections, and military personnel and are used to gain compliance, disperse crowds, restore order, or temporarily incapacitate dangerous persons. In rare circumstances, CTS less-lethal products may cause damage to property, serious bodily injury or death. Therefore, any person using the force option depicted on this page should receive proper training to ensure the safest and most effective use.

PHYSICAL & OPERATIONAL	
Type	Sting-Ball Grenades
Material	Rubber
Diameter	3.125" (80 mm)
Length	5.10" (129.5 mm)
Weight	315 gm
Fuze Type	Model 201
Detonation Delay	2.6 ± 1.1- 1.5 Sec.
Payload Material	.31 Caliber Rubber Pellets & Powder
	CN 10 gms
	CS 9 gms
	OC 9 gms
Launchable	Yes
Warranty	5 Years From Shipment Date
<p>All specifications are average and are subject to change without notice. All performance specifications are based on testing conducted in Jamestown, PA USA, At an elevation of 1,058 feet above sea level at ambient temperature conditions.</p>	

SHIPPING INFORMATION	
Proper Shipping Name	Grenade, Practice
UN Number	0452
Hazard Class	1.4G
Labels Required	Explosive
Quantity Per Package	12 Grenades
Total Package Weight	18 lb.
Package Type	4G Fiber Board Box Double Wall POP
Package Dimensions	12.75" X16.75" X 7.25" Height
Net Explosive Weight	9.86 gm per unit

The 95 Series Sting-Ball Grenades with irritant produce a loud blast, emit bright light, eject rubber pellets and disperse a powder cloud of irritant or inert powder. The primary application of this device is for riot control.