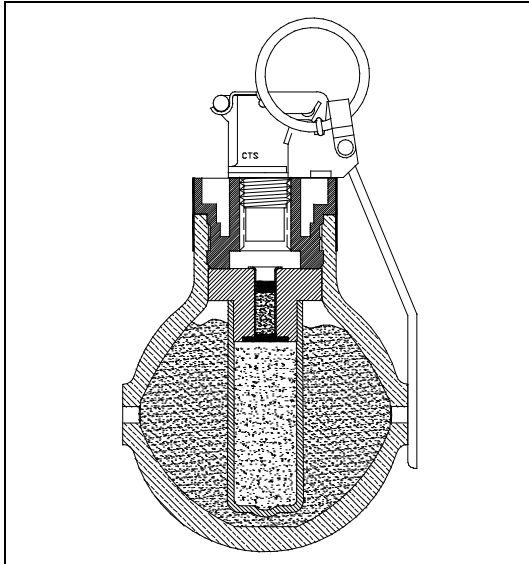


MODEL No.	DESCRIPTION:
9420	Irritant Tear-Ball™ Grenade w/ CN
9430	Irritant Tear-Ball™ Grenade w/ CS
9440	Irritant Tear-Ball™ Grenade w/ OC

Revision C 10/18



NOT TO SCALE

PHYSICAL & OPERATIONAL		
Type	Sting-Ball / Tear Ball Grenades	
Material	Rubber	
Diameter	3.125" (80 mm)	
Length	5.10" (129.5 mm)	
Weight	Approximately 300 gm	
Fuze Type	Model 201	
Detonation Delay	2.6 ± 1.1- 1.5 Sec.	
Payload Material	Powder	
	CN	40 grams
	CS	35 grams
	OC	50 grams
Launchable	Yes	
Warranty	5 Years From Shipment Date	
<p>All specifications are average and are subject to change without notice. All performance specifications are based on testing conducted in Jamestown, PA USA, At an elevation of 1,058 feet above sea level at ambient temperature conditions.</p>		

WARNING: CSI manufactures a variety of CTS less lethal products which are under pressure, pyrotechnic, incendiary, emit projectiles, generate smoke, or are explosive in nature. When used in accordance with CTS training guidelines and the individual agency's policy, they are intended to cause varying degrees of pain and injury, which are temporary. These products are restricted to law enforcement, corrections, and military personnel and are used to gain compliance, disperse crowds, restore order, or temporarily incapacitate dangerous persons. In rare circumstances, if used incorrectly, CTS less-lethal products may cause damage to property, serious bodily injury or death. Therefore, any person using the force option depicted on this page should receive proper training to ensure the safest and most effective use.

SHIPPING INFORMATION	
Proper Shipping Name	Ammunition Tear Producing
UN Number	0301
Hazard Class	1.4G Poison, Corrosive
Labels Required	6.1, 8
Quantity Per Package	12 Grenades
Total Package Weight	18 lb.
Package Type	4G Fiber Board Box Double Wall POP
Package Dimensions	12.75" X16.75" X 7.25" Height
Net Explosive Weight	9.8 gm per unit

The 94 Series Tear-Ball™ Grenades produce a loud blast, emit bright light, and subsequently dispersing a cloud of irritant powder. The primary application of this device is for riot control.