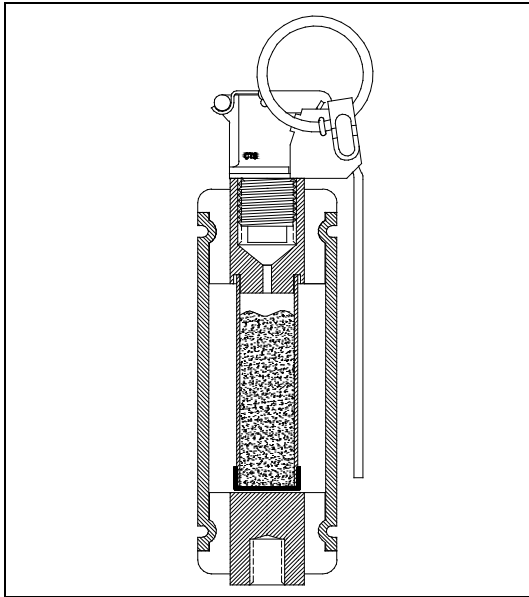


MODEL No.	DESCRIPTION:
7290M	Flash-Bang, Mini-Bang® Steel Body, Single Use
	Revision D 3/19



NOT TO SCALE

WARNING: CSI manufactures a variety of CTS less lethal products which are under pressure, pyrotechnic, incendiary, emit projectiles, generate smoke, or are explosive in nature. When used in accordance with CTS training guidelines and the individual agency's policy, they are intended to cause varying degrees of pain and injury, which are temporary. These products are restricted to law enforcement, corrections, and military personnel and are used to gain compliance, disperse crowds, restore order, or temporarily incapacitate dangerous persons. In rare circumstances, if used incorrectly, CTS less-lethal products may cause damage to property, serious bodily injury or death. Therefore, any person using the force option depicted on this page should receive proper training to ensure the safest and most effective use.

PHYSICAL & OPERATIONAL

Type	Noise-Flash Diversion Device
Body Material	Steel - Black Chromate
Diameter	1.50" (38 mm)
Length	5.40" (137 mm)
Weight	430 gm
Blast Ports	10 on top – 10 on bottom
Fuze Type	Model 201
Fuze Delay	1.5 +/- 0.3 sec. Average
Sound Output	165-175 dB Average
Light Output	2 Million Candela Minimum
Reloadable	Single Use Only
Warranty	5 Years from Shipment Date

All specifications are average and are subject to change without notice.
All performance specifications are based on testing conducted in Jamestown, PA USA,
At an elevation of 1,058 feet above sea level at ambient temperature conditions.

SHIPPING INFORMATION

Proper Shipping Name	Grenade, Practice
UN Number	0452
Hazard Class	1.4G
Labels Required	Explosive 1.4G
Quantity Per Package	12
Total Package Weight	18 lb.
Package Type	4G Fiberboard Box Double Wall POP
Package Dimensions	12x75" X 9.75" X 9" Height
Net Explosive Weight	8.78 gm per unit

*****CAUTION:** The deployment of any non-bursting canister devices onto soft, wet surfaces, such as mud, wet dirt and wet and dry sand may cause blast ports to become blocked, potentially causing the devices to launch and become a hazardous projectile.