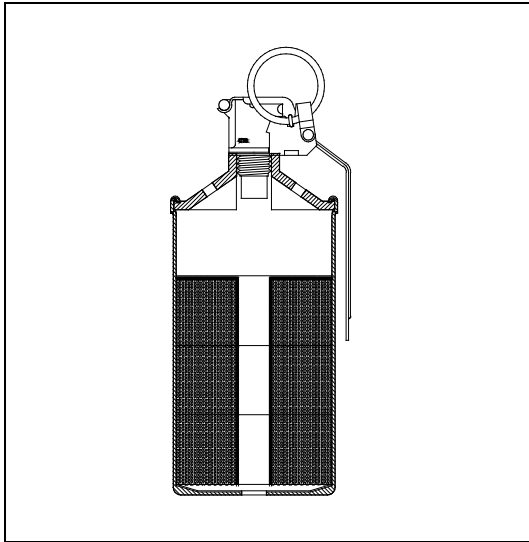


MODEL No.	DESCRIPTION:
5210	White Smoke Canister Grenade
5220	CN Canister Grenade
5230	CS Canister Grenade
	Revision C 10/18



NOT TO SCALE

PHYSICAL & OPERATIONAL	
Type	Irritant & Smoke Pyrotechnic Grenades
Diameter	2.60" (66 mm)
Length	6.20 " (157 mm)
Fuze Type	Model 201
Fuze Delay	1.5 +/- 0.3 sec. Average
Launchable	Yes
Overall Weight	460 gm
Discharge Time	20 - 40 Seconds
Emission Ports	5
Warranty	5 Years From Shipment Date
<p>All specifications are average and are subject to change without notice. All performance specifications are based on testing conducted in Jamestown, PA USA, At an elevation of 1,058 feet above sea level at ambient temperature conditions.</p>	

WARNING: CSI manufactures a variety of CTS less lethal products which are under pressure, pyrotechnic, incendiary, emit projectiles, generate smoke, or are explosive in nature. When used in accordance with CTS training guidelines and the individual agency's policy, they are intended to cause varying degrees of pain and injury, which are temporary. These products are restricted to law enforcement, corrections, and military personnel and are used to gain compliance, disperse crowds, restore order, or temporarily incapacitate dangerous persons. In rare circumstances, if used incorrectly, CTS less-lethal products may cause damage to property, serious bodily injury or death. Therefore, any person using the force option depicted on this page should receive proper training to ensure the safest and most effective use.

SHIPPING INFORMATION	
Proper Shipping Name	Ammunition, Smoke
UN Number	0303
Hazard Class	1.4G
Labels Required	Explosive 1.4G
Quantity Per Package	24 Grenades
Total Package Weight	33 lb.
Package Type	UN Specification 1A2/Y36/S Metal Drum with Lever Lock Lid
Package Dimensions	19x12 (7 gal. drum also used for overnight packages)
Net Explosive Weight	222 gm per unit