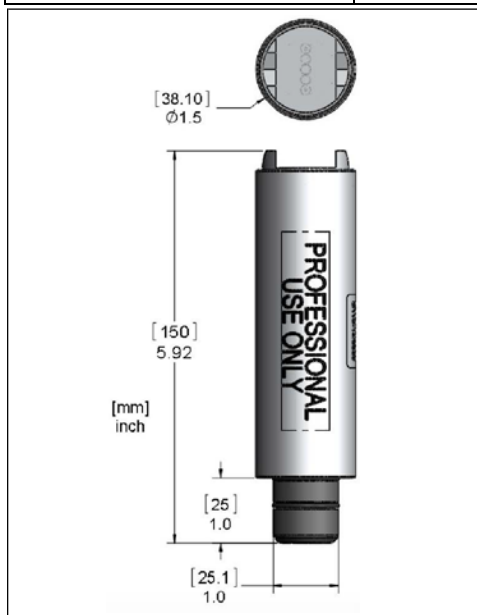


MODEL No.	DESCRIPTION:
C112	TEC Torch Rod Cutter Cartridge (can be used with TEC Torch Handheld Breaching Tool)
	Rev E 11/20



WARNING: CSI manufactures a variety of CTS less lethal products which are under pressure, pyrotechnic, incendiary, emit projectiles, generate smoke, or are explosive in nature. When used in accordance with CTS training guidelines and the individual agency's policy, they are intended to cause varying degrees of pain and injury, which are temporary. These products are restricted to law enforcement, corrections, and military personnel and are used to gain compliance, disperse crowds, restore order, or temporarily incapacitate dangerous persons. In rare circumstances, if used incorrectly, CTS less-lethal products may cause damage to property, serious bodily injury or death. Therefore, any person using the force option depicted on this page should receive proper training to ensure the safest and most effective use.

PHYSICAL & OPERATIONAL	
Cut	0.75 in (19 mm) Dia. Steel Steel alloy, any hardness, stainless steel, etc. 1.0 inch (25 mm) Dia. Aluminum 1.0 inch (25 mm) Dia. Steel cable
Burn Time	> 1.5 sec

The C112 is specifically designed as a handheld cartridge for cutting rods and bars. This unit is ideally suited for locks, chains and bolts by hand-fired operation and rebar by remote-fired operation. The cartridge is initiated by an igniter sealed inside the canister with an electrical plug at the rear. Normally the cartridge is fired by a battery powered handle or extension cable. Cartridges contain a thermite composition that burns in excess of 3000°F for approximately >1.5 seconds. Cartridges are designed to be lightweight, fast and easy to use.

All specifications are average and are subject to change without notice.
All performance specifications are based on testing conducted in Jamestown, PA USA, at an elevation of 1,058 feet above sea level at ambient temperature conditions.

IGNITION AND SAFETY	
All-Fire Current	1.0 Amp 40 ms
Recommended Fire Current:	≥2.0 Amp
No-Fire Current:	0.4 Amp 5 s
Bridgewire Resistance	1.6 ± 0.2 Ω
Self-Ignition Temperature	300°C (572°F)

SHIPPING INFORMATION	
Weight	0.75 lb (340 gram)
N.E.W.	0.22 lb (100 gram) pyrotechnic 1.4G UN0431
Operation	One-time use disposable
Interface	Universal rear coax connector w/ aluminum plug and handle alignment feature
Shelf Life	-3 yrs w/ proper storage -30 days once removed from aluminum packaging

***Not ITAR Restricted, EAR 99, no license required**

Warning: This is a potentially hazardous product. This product may only be handled by those fully familiar and trained to handle such products and only in accordance with Federal, State and local regulations. For more information, please contact CSI @724.932.2177.

Sold and marketed under license by Energetic Devices, LLC | 1413 Brandi Ln, Round Rock TX 78681 | +1 512-380-1945