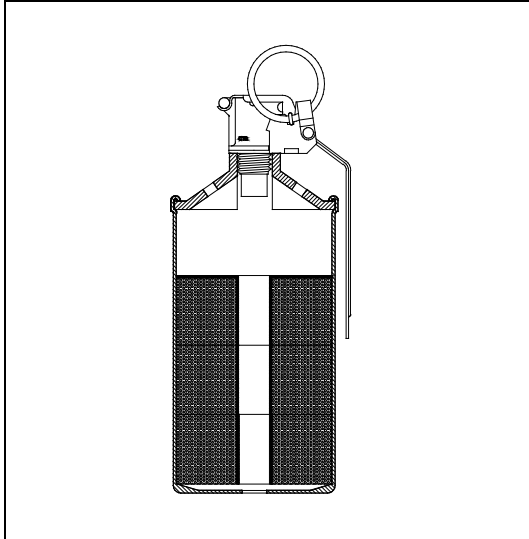


| MODEL No.       | DESCRIPTION:        |
|-----------------|---------------------|
| 5220            | CN Canister Grenade |
| 5230            | CS Canister Grenade |
|                 |                     |
| Revision E 5/21 |                     |



NOT TO SCALE

| PHYSICAL & OPERATIONAL   |                                       |
|--|---------------------------------------|
| Type   | Irritant & Smoke Pyrotechnic Grenades |
| Diameter   | 2.60" (66 mm)                         |
| Length   | 6.20 " (157 mm)                       |
| Fuze Type  | Model 201                             |
| Fuze Delay   | 1.5 +/- 0.3 sec. Average              |
| Launchable   | Yes                                   |
| Overall Weight   | 460 gm                                |
| Discharge Time   | 20 - 40 Seconds                       |
| Emission Ports   | 5                                     |
| Warranty   | 5 Years from Shipment Date            |
| <p>All specifications are average and are subject to change without notice.<br/>           All performance specifications are based on testing conducted in Jamestown, PA USA,<br/>           At an elevation of 1,058 feet above sea level at ambient temperature conditions.</p> |                                       |

**WARNING:** CSI manufactures a variety of CTS less lethal products which are under pressure, pyrotechnic, incendiary, emit projectiles, generate smoke, or are explosive in nature. When used in accordance with CTS training guidelines and the individual agency's policy, they are intended to cause varying degrees of pain and injury, which are temporary. These products are restricted to law enforcement, corrections, and military personnel and are used to gain compliance, disperse crowds, restore order, or temporarily incapacitate dangerous persons. In rare circumstances, if used incorrectly, CTS less-lethal products may cause damage to property, serious bodily injury or death. Therefore, any person using the force option depicted on this page should receive proper training to ensure the safest and most effective use.

| SHIPPING INFORMATION |   |
|----------------------|---|
| Proper Shipping Name | Ammunition, Tear Producing                                |
| UN Number            | 0301  |
| Hazard Class         | 1.4G, 6.1,8   |
| Labels Required      | Explosive 1.4G Corrosive, Poison                          |
| Quantity Per Package | 24 Grenades   |
| Total Package Weight | 33 lb.  |
| Package Type         | UN Specification 1A2/Y36/S Metal Drum with Lever Lock Lid |
| Package Dimensions   | 19x12 (7 gal. drum also used for overnight packages)      |