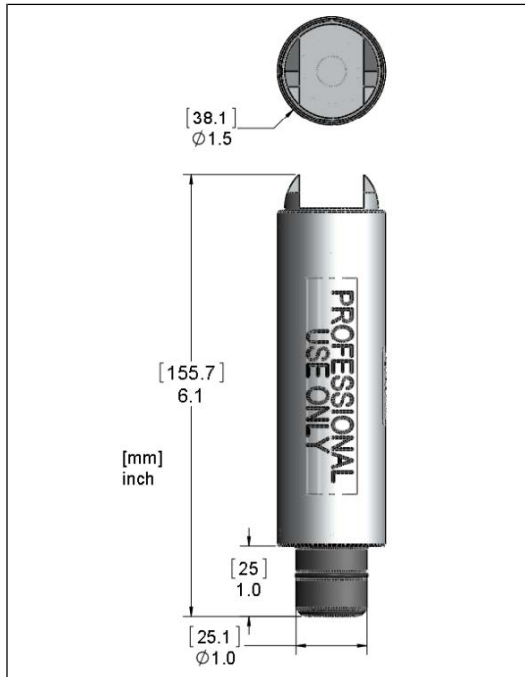


MODEL No.	DESCRIPTION:
C212	TEC Torch Metal Plate and Sheet Penetrating Cartridge (can be used with TEC Torch Handheld Breaching Tool)
	Rev E 10/21



NOT TO SCALE

WARNING: CSI manufactures a variety of CTS less lethal products which are under pressure, pyrotechnic, incendiary, emit projectiles, generate smoke, or are explosive in nature. When used in accordance with CTS training guidelines and the individual agency's policy, they are intended to cause varying degrees of pain and injury, which are temporary. These products are restricted to law enforcement, corrections, and military personnel and are used to gain compliance, disperse crowds, restore order, or temporarily incapacitate dangerous persons. In rare circumstances, if used incorrectly, CTS less-lethal products may cause damage to property, serious bodily injury or death. Therefore, any person using the force option depicted on this page should receive proper training to ensure the safest and most effective use.

PHYSICAL & OPERATIONAL

Penetration	Forms a 0.375 inch (10mm) hole through 0.5 inch (12mm) thick steel, steel alloy, any hardness, stainless steels, etc.
Burn Time	> 1.5 sec

The C212 is specifically designed as a handheld cartridge for penetrating metal plate and sheet. This unit is ideally suited for forming small circular holes in flat metal. The cartridge is initiated by an igniter sealed inside the canister with an electrical plug at the rear. The cartridge is fired by a battery powered handle or extension cable. Cartridges contain a thermite composition that burns in excess of 3000°F for over 1.5 seconds. Cartridges are designed to be lightweight, fast, and easy to use.

All specifications are average and are subject to change without notice. All performance specifications are based on testing conducted in Jamestown, PA USA, At an elevation of 1,058 feet above sea level at ambient temperature conditions.

SHIPPING INFORMATION

Weight	0.840 lb (381.01 gram)
N.E.W.	0.22 lb (100 g) pyrotechnic 1.4G UN0431
Operation	One-time use disposable
Interface	Universal rear coax connector w/ aluminum plug and alignment feature
Shelf Life	3 yrs w/ proper storage 30 days once removed from aluminum packaging

***Not ITAR Restricted, EAR 99, no license required**

IGNITION AND SAFETY

All-Fire Current	1.0 Amp 40 ms
Recommended Fire Current	≥2.0 Amp
No-Fire Current	0.4 Amp 5 s
Bridgewire Resistance	1.6 ± 0.2 Ω
Self-Ignition Temperature	300°C (572°F)

Warning: This is a potentially hazardous product. This product may only be handled by those fully familiar and trained to handle such products and only in accordance with Federal, State and local regulations. For more information, please contact CSI@724.932.2177.
Sold and marketed under license by Energetic Devices, LLC | 1413 Brandi Ln, Round Rock TX 78681 | +1 512.380.1992