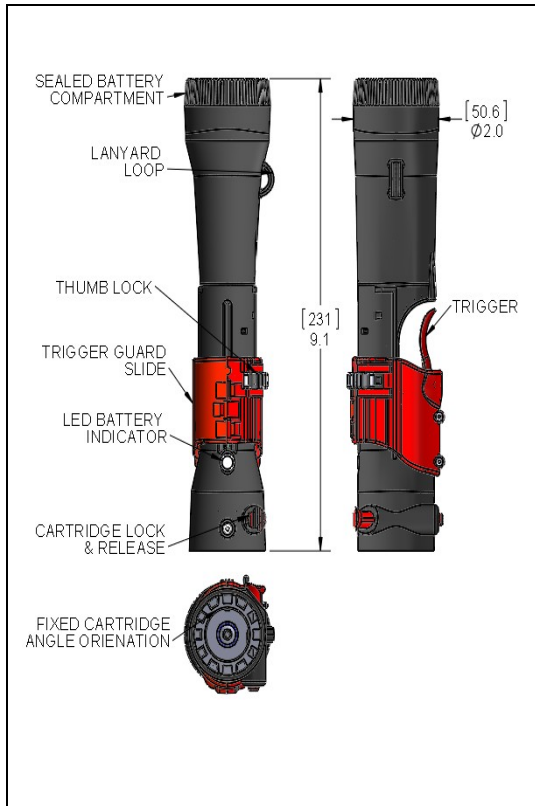


MODEL No.	DESCRIPTION:
H400	TEC Torch Handle, compatible with C112 and C212 cartridges
	REV A 10/21



NOT TO SCALE

PHYSICAL & OPERATIONAL	
Capacity	Fires up to 4 TEC cartridges in parallel circuit
Body Material	Polycarbonate with embedded stainless steel fibers for EMI/RFI/ESD protection
Safety Measures	Waterproof exposure to 100m Operation to 30m-glove operation
Overall Height	9.1 inches (231mm)
Overall Weight w/battery	0.530 lb (240.40 gram)
Warranty	1 Year
Shelf Life	3 years with proper storage (without battery)
Battery	4X CR123A

The H400 is optimized to be our most rugged, safe and functional handle. The handle requires 3 motions or intentional actions for safe and intentional initiation of TEC Torch Cartridges. The body is injection molded polycarbonate with embedded Stainless Steel fibers for EMI/RFI/ESD protection. Users can UNLOCK, SLIDE (ARMing the circuit) and FIRE with one hand operation.

Warning: This is a potentially hazardous product. This product may only be handled by those fully familiar and trained to handle such products and only in accordance with Federal, State and local regulations.

WARNING: CSI manufactures a variety of CTS less lethal products which are under pressure, pyrotechnic, incendiary, emit projectiles, generate smoke, or are explosive in nature. When used in accordance with CTS training guidelines and the individual agency's policy, they are intended to cause varying degrees of pain and injury, which are temporary. These products are restricted to law enforcement, corrections, and military personnel and are used to gain compliance, disperse crowds, restore order, or temporarily incapacitate dangerous persons. In rare circumstances, if used incorrectly, CTS less-lethal products may cause damage to property, serious bodily injury or death. Therefore, any person using the force option depicted on this page should receive proper training to ensure the safest and most effective use.

****Not ITAR Restricted, EAR 99, No license required. ****