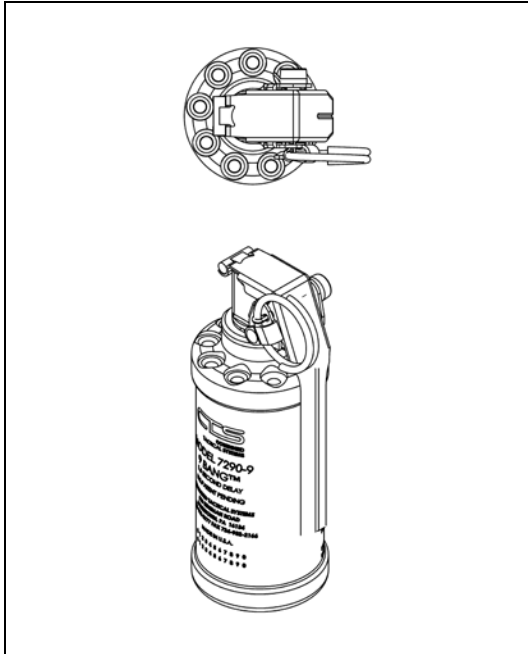


MODEL No.	DESCRIPTION:
7290-9	Multi 9 Flashbang, Aluminum Body, Single Use
	Revision K 3/22



NOT TO SCALE

PHYSICAL & OPERATIONAL	
Type*	Multiple Output Noise-Flash Diversion Device
Body Material	Aluminum, anodized, black
Diameter	2.1" max
Length	5.7" max including fuze, 4" hand safe length
Weight	550 grams maximum
Blast Ports	19 (9 top, 10 bottom)
Fuze Type	M201
Fuze Delay	1.5 +/- 0.3 sec. average
Sound Output	165-180 dB
Light Output	Approx. 1 million candlepower per charge
Reloadable	Single use only
Warranty	5 years from shipment date
<p>All specifications are average and are subject to change without notice. All performance specifications are based on testing conducted in Jamestown, PA USA, At an elevation of 1,058 feet above sea level at ambient temperature conditions.</p>	

WARNING: CSI manufactures a variety of CTS less lethal products which are under pressure, pyrotechnic, incendiary, emit projectiles, generate smoke, or are explosive in nature. When used in accordance with CTS training guidelines and the individual agency's policy, they are intended to cause varying degrees of pain and injury, which are temporary. These products are restricted to law enforcement, corrections, and military personnel and are used to gain compliance, disperse crowds, restore order, or temporarily incapacitate dangerous persons. In rare circumstances, if used incorrectly, CTS less-lethal products may cause damage to property, serious bodily injury or death. Therefore, any person using the force option depicted on this page should receive proper training to ensure the safest and most effective use.

SHIPPING INFORMATION	
Proper Shipping Name	Grenade Practice
UN Number	0452
Hazard Class	1.4G
Labels Required	Explosive 1.4G
Quantity Per Package	12
Total Package Weight	18 lb.
Package Type	4G corrugated fiberboard box
Package Dimensions	13.0" L X 9.5" W X 8.75" H

The 7290-9 Flash-Bang device provides 9 unique flash bang actions within a single hand safe assembly. The device provides arrhythmic outputs approximately 0.5 seconds apart. Unit is designed to be hand safe and provides a physical feature to locate the top and bottom of the grenade when handling.

*****CAUTION:** The deployment of any non-bursting canister devices onto soft, wet surfaces, such as mud, wet dirt and wet and dry sand may cause blast ports to become blocked, potentially causing the devices to launch and become a hazardous projectile.