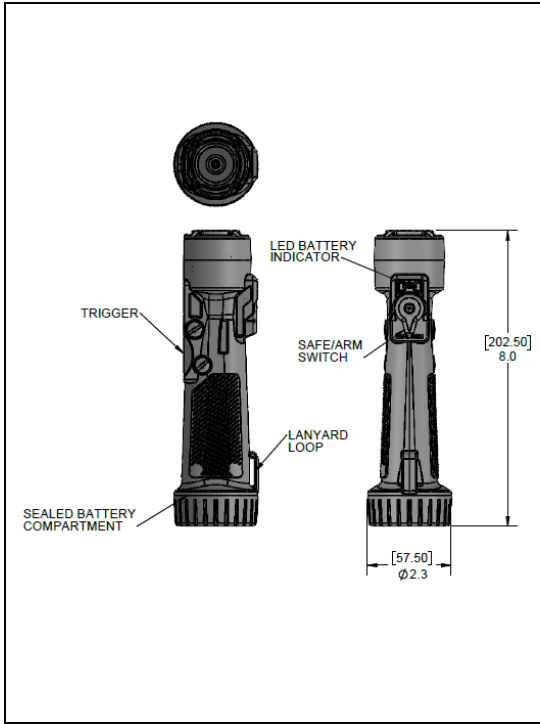


MODEL No.	DESCRIPTION:
H210	TEC Torch Handle, compatible with C112 and C212 cartridges
	REV Orig 11/22



PHYSICAL & OPERATIONAL	
Overall Height	8 inches (202mm)
Overall Weight w/battery	0.40 lb (182 gram)
Warranty	1 Year
Shelf Life	3 years with proper storage (without battery)
Battery	4X CR123A contained in a removable battery pack

The H210 is specifically designed as a low cost and rugged power supply for safe initiation of TEC Torch products. The handle is injection molded polycarbonate and requires 2 motions for initiation of TEC Torch cartridges. A rotating switch on the top of the handle indicates electrical states of SAFE and ARM. When in the ARM position, a green LED will illuminate indicating sufficient battery charge to function a cartridge. Momentarily depressing the TRIGGER on the bottom of handle will function a cartridge. A loop at the rear of the handle is provided for lanyard attachment.

Warning: This is a potentially hazardous product. This product may only be handled by those fully familiar and trained to handle such products and only in accordance with Federal, State and local regulations.

WARNING: CSI manufactures a variety of CTS less lethal products which are under pressure, pyrotechnic, incendiary, emit projectiles, generate smoke, or are explosive in nature. When used in accordance with CTS training guidelines and the individual agency's policy, they are intended to cause varying degrees of pain and injury, which are temporary. These products are restricted to law enforcement, corrections, and military personnel and are used to gain compliance, disperse crowds, restore order, or temporarily incapacitate dangerous persons. In rare circumstances, if used incorrectly, CTS less-lethal products may cause damage to property, serious bodily injury or death. Therefore, any person using the force option depicted on this page should receive proper training to ensure the safest and most effective use.

****Not ITAR Restricted, EAR 99, No license required. ****